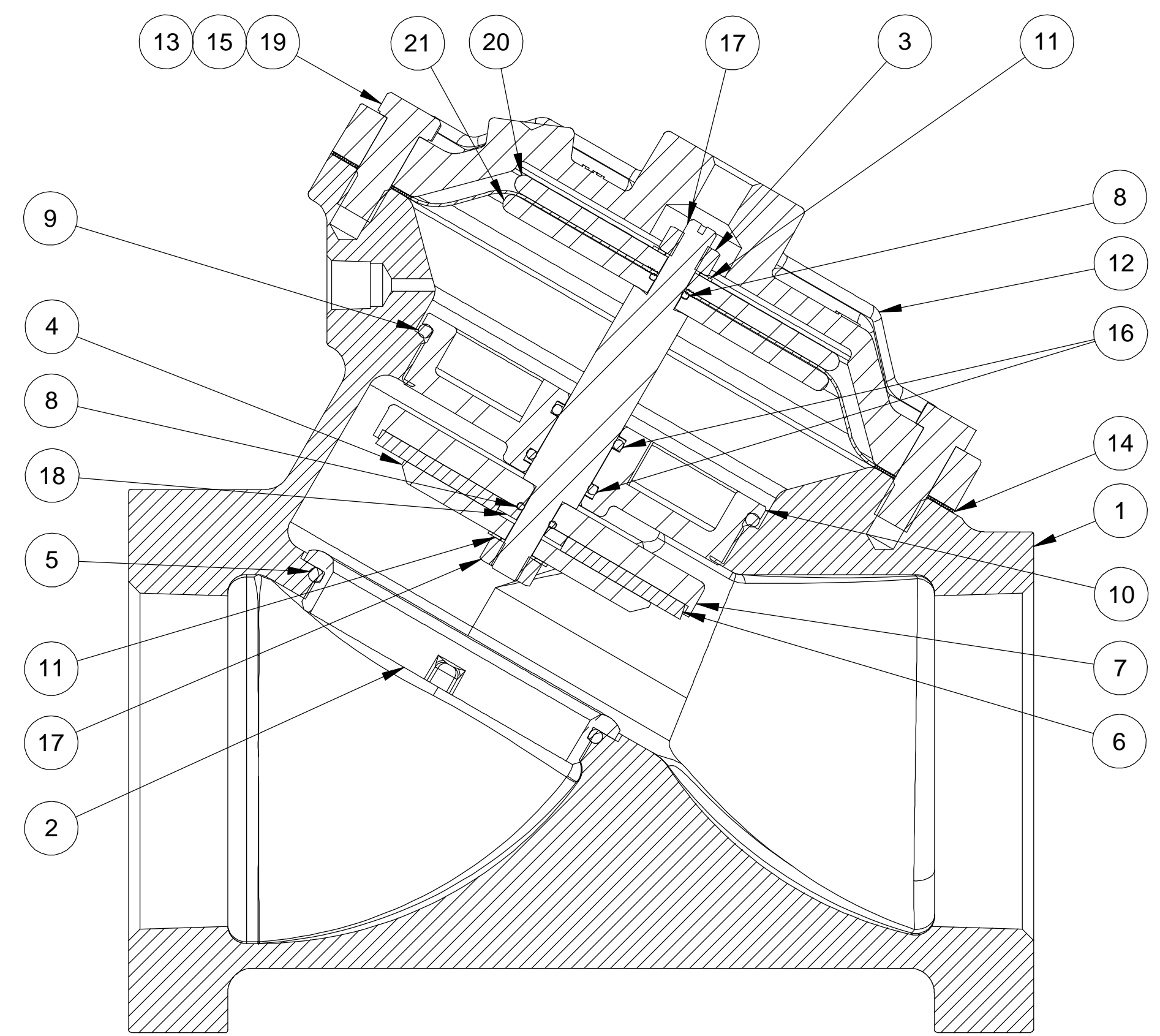
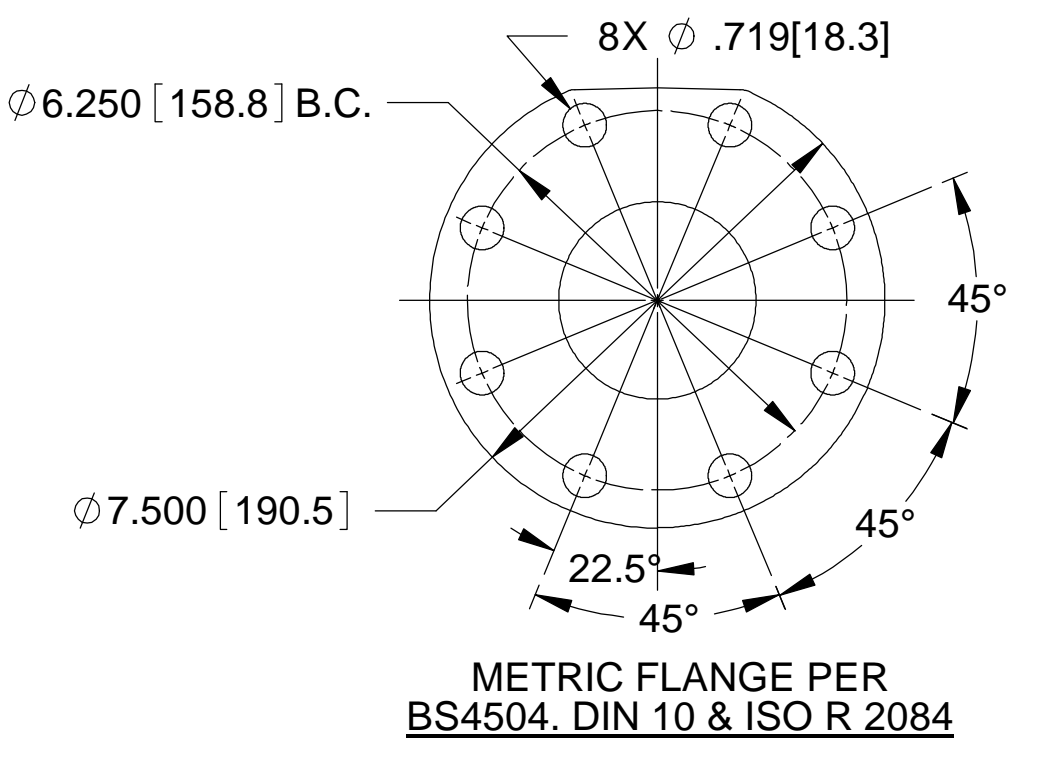
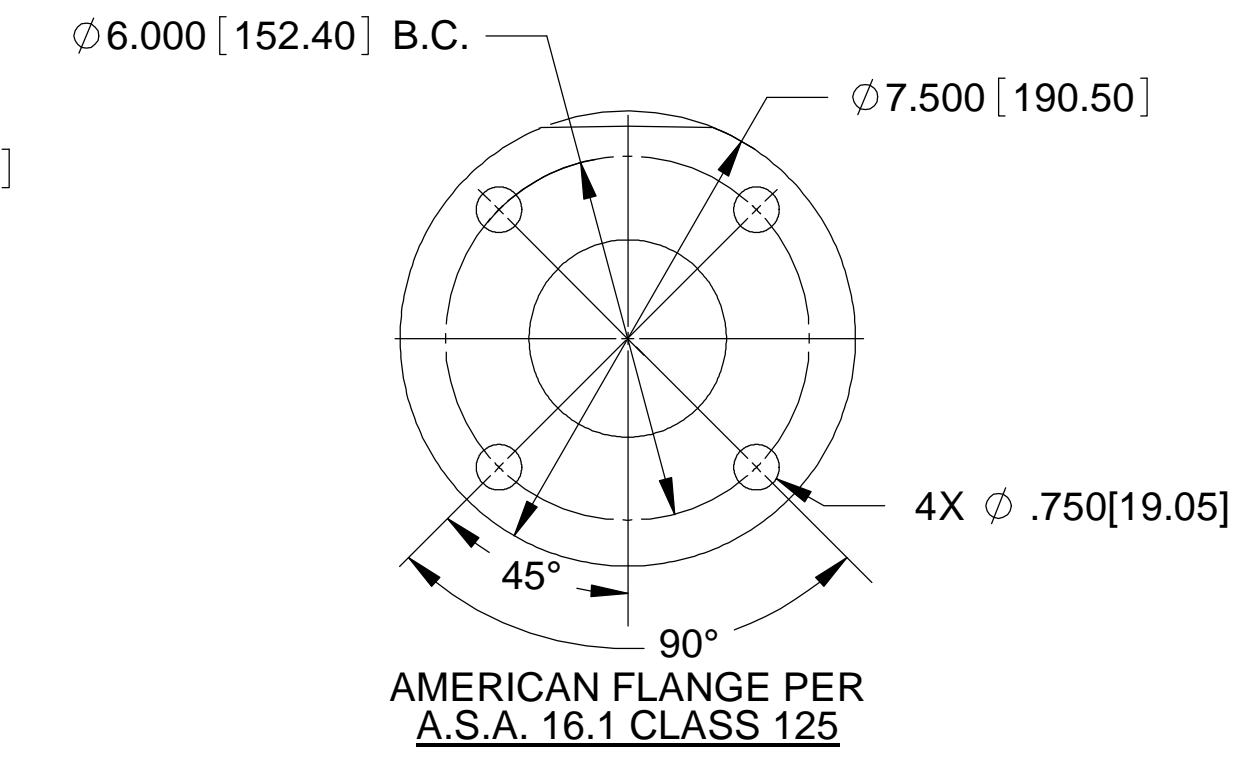


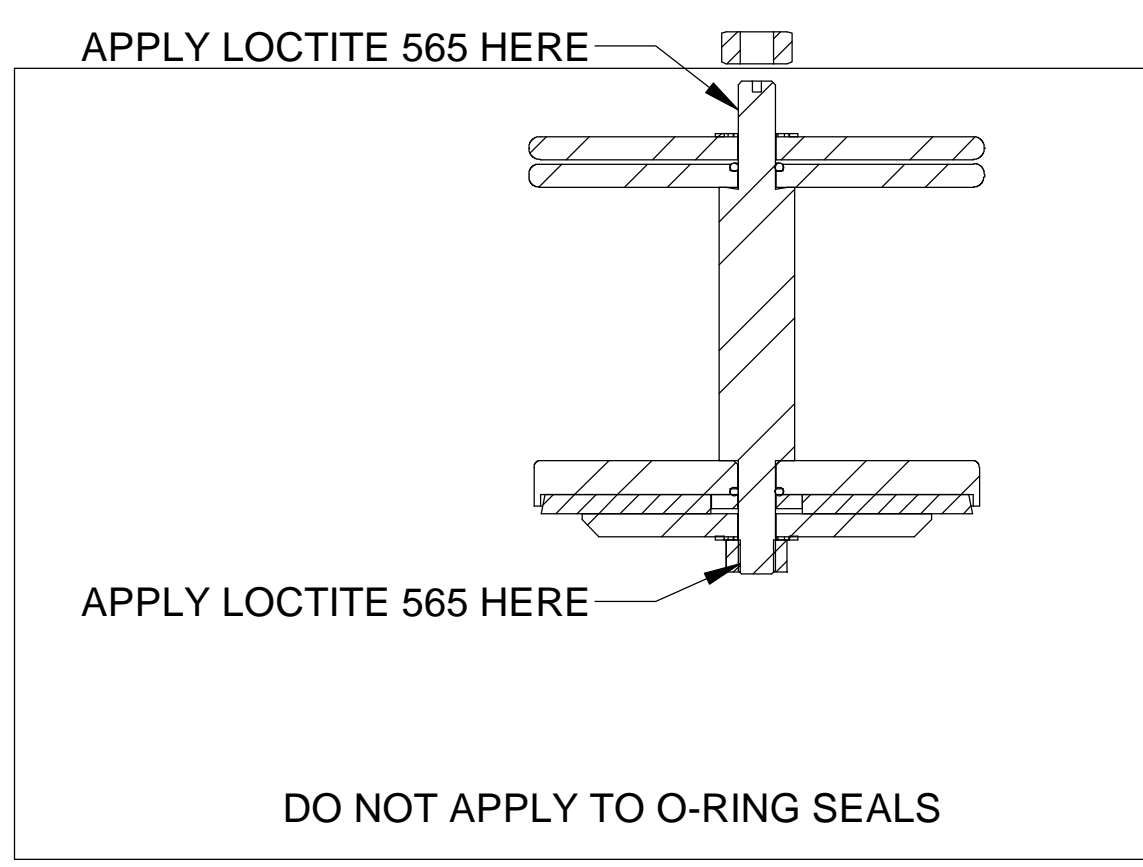
**1235690 (VAVJ-0000-900000)**  
3" NPT ENDS

**11077128 (VAVJ-3000-900000)**  
FLANGED ENDS

- NOTE:**
1. AMERICAN NATIONAL STANDARD TAPER PIPE THREADS (NPT) PER ANSI B2.1-1968
  2. VALVES AVAILABLE WITH B.S.P.T. END CONNECTIONS.



**NORMALLY OPEN (STANDARD)**



REVISIONS					
ZONE	ECN	REV.	DESCRIPTION	DATE	APP'D
	102056	K	REDRAWN - FORM # NOW DWG # (WAS 1084043), 1-1074495-WAS:1074493, 2-1074479-WAS: 1074478	6-4-13	NBE

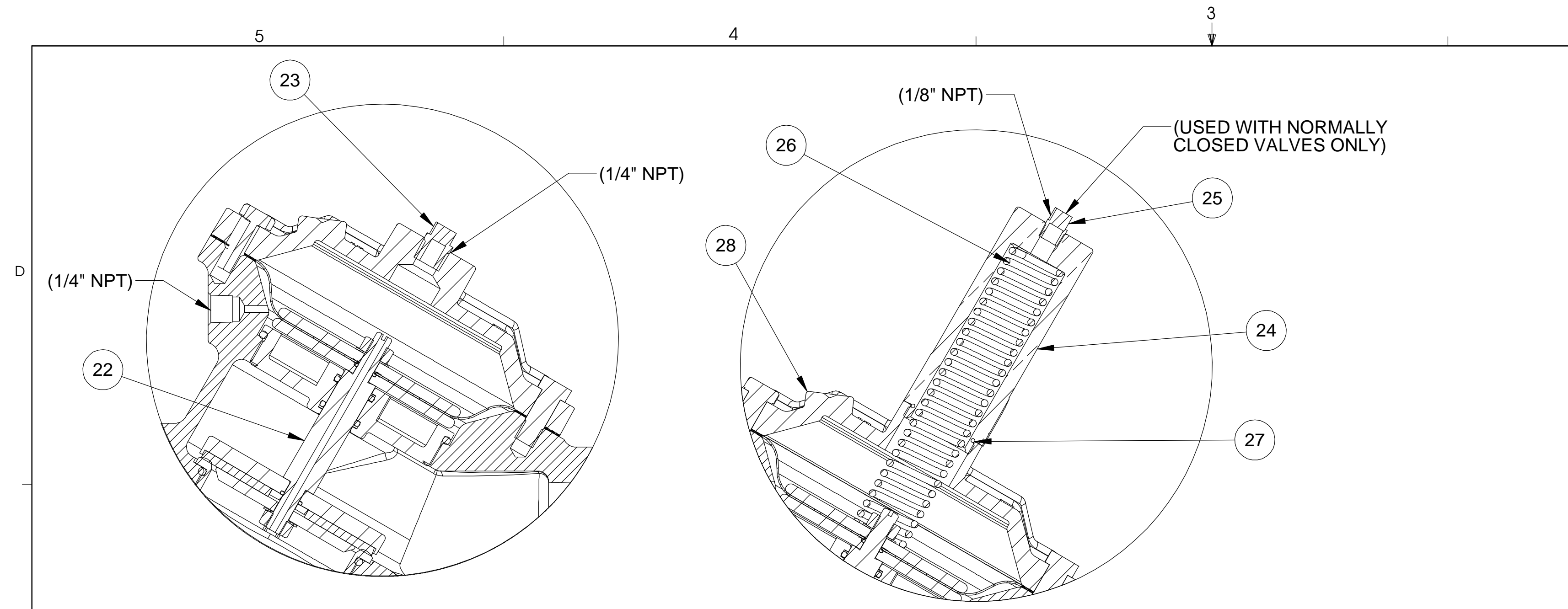
ITEM NO.	DESCRIPTION	PART NUMBER	QTY.
1	BODY, 427, CAST IRON	THREADED	1074446
		FLANGED	1083918
2	SEAT, 427, MACHINING	BRASS	1074505
3	NUT, HEX, 5/16"-24	SS	1263853
4	PLATE, DISC	(303 SS)	1074495
5	O-RING, ORV-233	FKM	1071826
6	DISC, 427	HYCAR	1074490
		TELFON	1074491
7	DISC HOLDER, ALUM/BRONZE		1074483
8	O-RING, -011	FKM	1071786
9	O-RING, -237	FKM	1071828
10	SHAFT GUIDE, MACHINING		1074479
11	LOCKWASHER, 5/16"		1073594
12	CAP, 427, MACHINING	CAST IRON	1074454
13	SCREW, 3/8-16 X 1 1/2", HX HD	PLATED STEEL	1072405
14	DIAPHRAGM SERIES 427,	BUNA-N	1074475
		FKM	1074477
15	HEX NUT, 3/8-16	PLATED STEEL	1071658
16	O-RING, -114	ALFAS	1071662
17	SHAFT, 427, NO		1074496
18	SPACER, BRASS		1074382
19	HEX HEAD CAP SCREW, 3/8-16X 1.00	STAINLESS STEEL	19768
20	PLATE, UPPER DIAPHRAGM		1074472
21	DIAPH PLT, 427,LWR, MACH	SS	1074473

ASSEMBLY TOOLS	
DESCRIPTION	PART NO.
FOR INSTALLATION & REMOVAL OF SHAFT GUIDE (ITEM #10) (NOT SHOWN)	1-3/16" HEX SOCKET

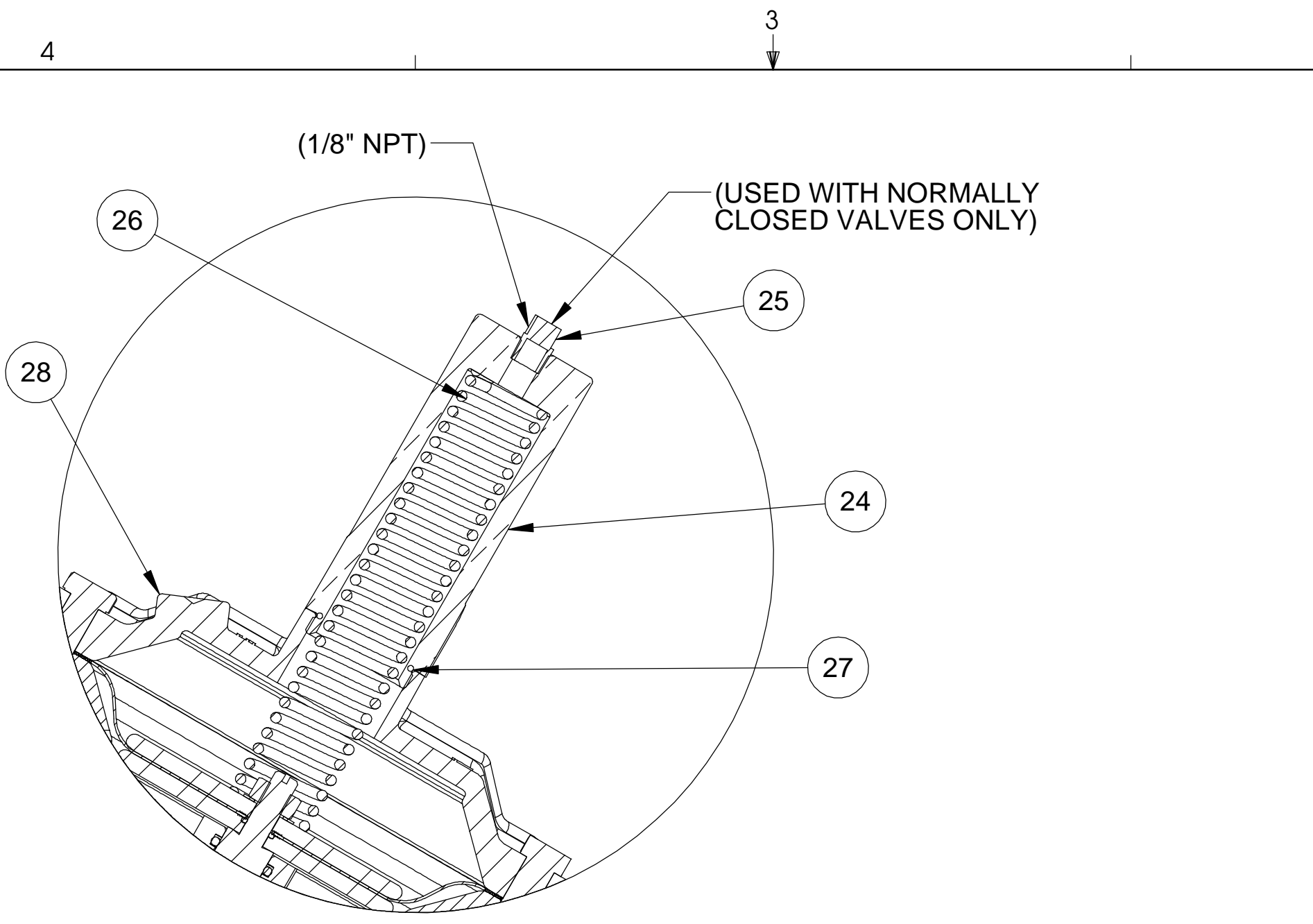
REPAIR PARTS KITS		
DESCRIPTION	PART NO.	
DIAPHRAGM & SEALS KIT CONSISTS OF ITEM NO'S 3(2),5,6,8(2),9,14,16(2)	1070110 (AV7-RA)	1070516(AV7-RAHT)
	INCLUDES DISC 1074490 (427-JH), DIAPHRAGM 1074475 (427-FB)	INCLUDES DISC 1074491 (427-JT), DIAPHRAGM 1074477 (427-FV)
INT. PARTS KIT (NORM. OPEN) CONSISTS OF STANDARD ITEM NO'S 4,7,10,11,17,18,20,21	1070517 (AV7-RF)	
SEAT (ITEM NO. 2)	1074505	

SEE REVERSE SIDE FOR CONFIGURATION OPTIONS

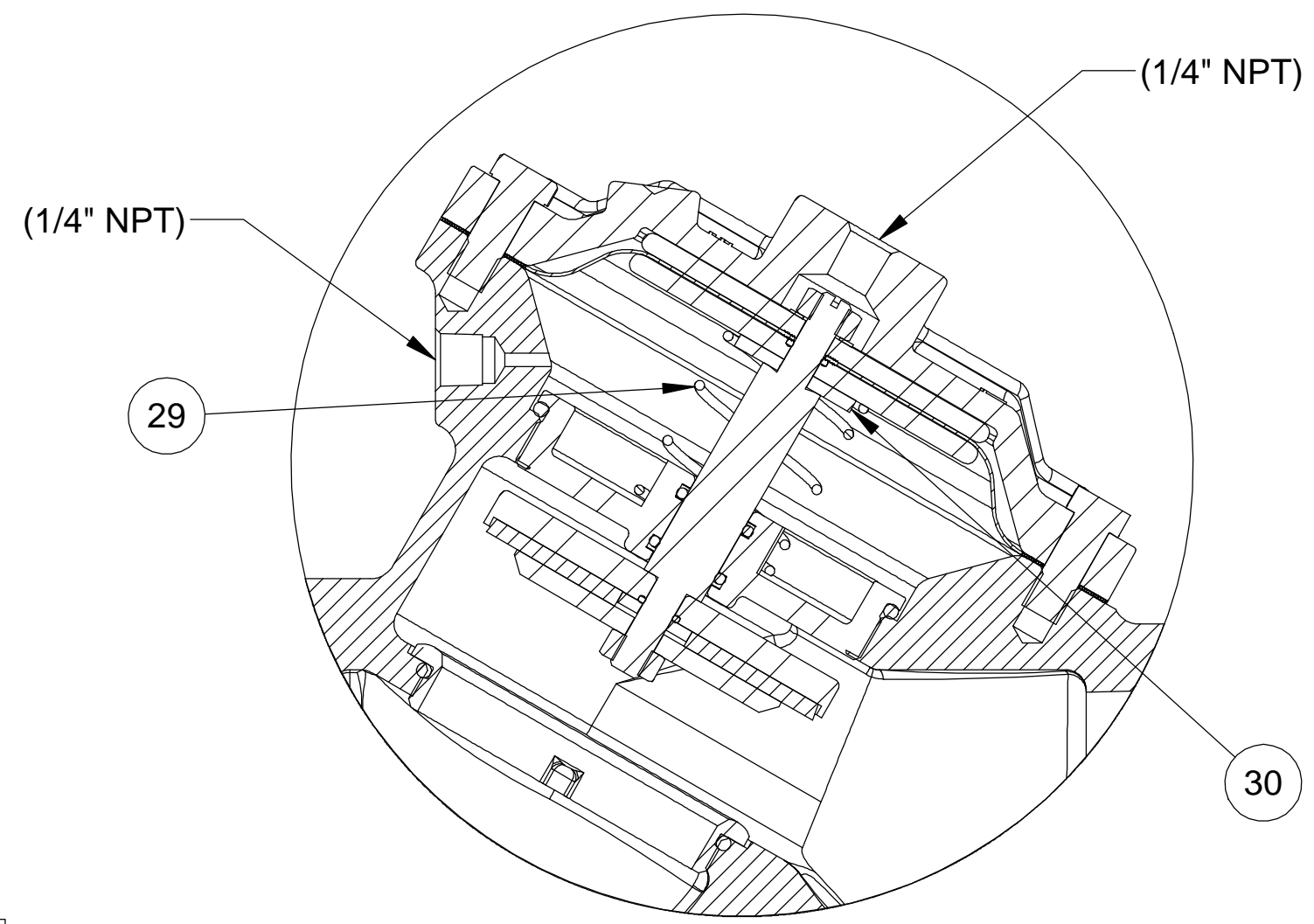
© 2016 AQ Matic Valve and Controls Company, Inc. All rights reserved.	THIRD ANGLE PROJECTION				16605 West Victor Rd New Berlin, WI 53151 262-326-0100 www.aq-matic.com
	APPROVALS		DATE	TITLE	
DO NOT SCALE DRAWING. DIMS. ARE IN INCHES [mm] INTERPRET DIMS AND TOLERANCES PER ASME Y14.5M-2009 UNLESS OTHERWISE SPECIFIED.	DRAWN	NE	10-20-11	CATALOG SHEET, AV7 DIAPHRAGM VALVE STANDARD MODEL	
	APPROVED			SIZE <b>C</b>	DWG NO. <b>BR1077639</b>
	CHECKED			SCALE 1:2	REV <b>K</b>
				SHEET 1 OF 2	



1269740 (VAVJ-0030-90000) (THREADED)  
 1242257 (VAVJ-3030-90000) (FLANGED)  
**NORMALLY CLOSED**



3018900 (VAVJ-0002-90000) (THREADED)  
 1080797 (VAVJ-3002-90000) (FLANGED)  
**SPRING ASSIST CLOSED**



1072502 (VAVJ-0001-90000) (THREADED)  
 1072509 (VAVJ-3001-90000) (FLANGED)  
**SPRING ASSIST OPEN**

REPAIR PARTS KITS	
DESCRIPTION	PART NO.
INT. PARTS KIT (NORM. CLOSED) CONSISTS OF STANDARD ITEM NO'S 4,7,10,11,18,20,21,22	BR1070518 (AV7-RG)
INT. PARTS KIT (SPRING ASSIST CLOSED) CONSISTS OF STANDARD ITEM NO'S 26,27	BR1070513 (AVG-SC)
INT. PARTS KIT (SPRING ASSIST OPEN) CONSISTS OF STANDARD ITEM NO'S 29, 30	BR1070520 (AV7-SO)

CONVERSION KITS	
DESCRIPTION	PART NO.
CONVERSION KIT (SPRING ASSIST CLOSED) CONSISTS OF STANDARD ITEM NO'S 24 THRU 28	BR1070519 (AV-SCC)
CONVERSION KIT (SPRING ASSIST OPEN) CONSISTS OF STANDARD ITEM NO'S 29, 30	BR1070520 (AV7-SO)

REVISIONS					
ZONE	ECN	REV.	DESCRIPTION	DATE	APP'D
			SEE SHEET 1 FOR LIST OF CHANGES		

NORMALLY CLOSED MODEL			
ITEM NO.	DESCRIPTION	PART NUMBER	QTY.
22	SHAFT, 427, NC	1074499	1
23	MALE PIPE PLUG	PLATED STEEL 1071918	1

SPRING ASSIST CLOSED MODEL			
ITEM NO.	DESCRIPTION	PART NUMBER	QTY.
24	NUT, SPRING RETAINER	BRASS 1074431	1
25	MALE PIPE PLUGS (1/8" NPT)	BRASS 1071903	1
26	COMPRESSION SPRING	1074429	1
27	O-RING, 2-025	BUNA 1071677	1
28	CAP, 427, SPRING ASSIST	CAST IRON 1074460	1

SPRING ASSIST OPEN MODEL			
ITEM NO.	DESCRIPTION	PART NUMBER	QTY.
29	SPRING, COMPRESSION	1078692	1
30	WASHER, CENTERING	BRASS 1074436	1

SEE REVERSE SIDE FOR STANDARD NORMALLY OPEN MODEL

© 2016 AQ Matic Valve and Controls Company, Inc. All rights reserved.  DO NOT SCALE DRAWING. DIMS. ARE IN INCHES [mm] INTERPRET DIMS AND TOLERANCES PER ASME Y14.5M -2009 UNLESS OTHERWISE SPECIFIED.  TOLERANCES: ANGLES: ± 1° 1 PLACE .X: ± .015 [0.38] 2 PLACE .XX: ± .01 [0.3] 3 PLACE .XXX: ± .005 [0.13]	THIRD ANGLE PROJECTION			16605 West Victor Rd New Berlin, WI 53151 262-326-0100 www.aq-matic.com	
	APPROVALS	DATE	TITLE <b>CATALOG SHEET, AV7          DIAPHRAGM VALVE STANDARD MODEL</b>		
	DRAWN		SIZE <b>C</b>	DWG NO. <b>BR1077639</b>	REV <b>K</b>
	APPROVED		SCALE 1:1	SHEET 2 OF 2	
CHECKED					